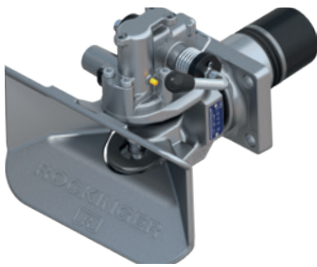
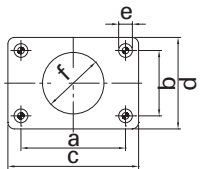
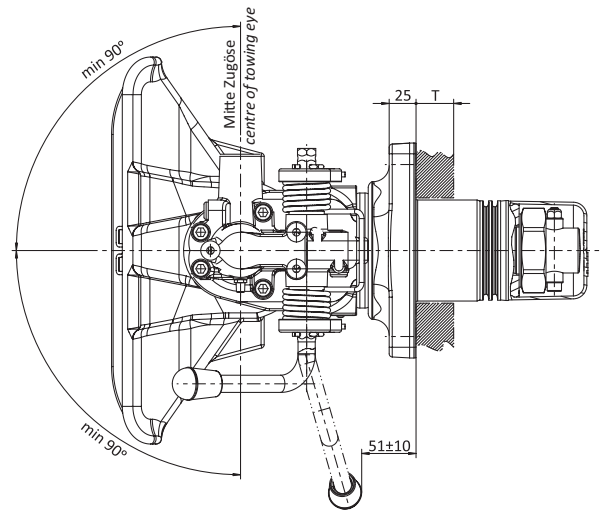
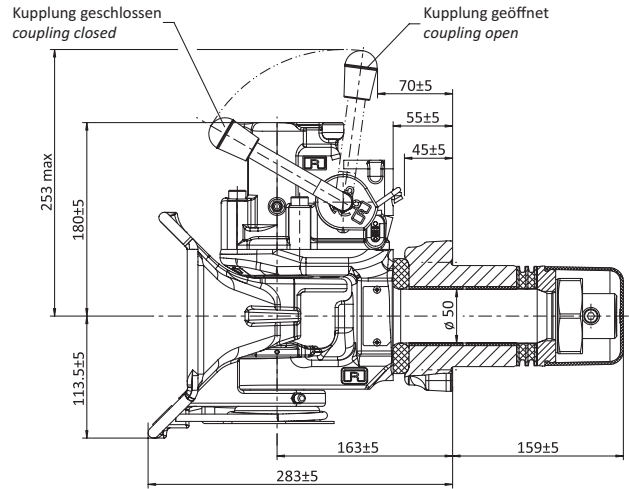
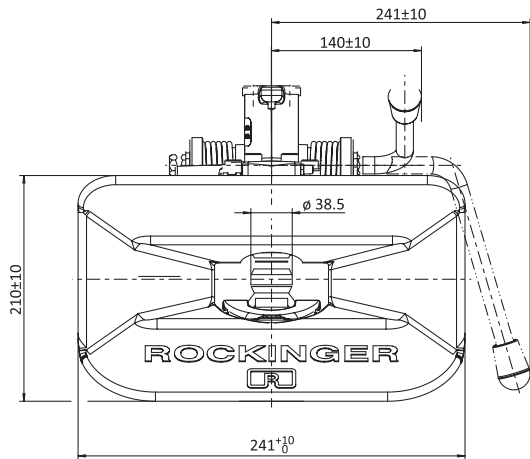


RO★400 Easy Mount

- DE** Neue Standardkupplung
- EN** New standard hitch
- FR** Nouveau crochet standard
- IT** Nuovo gancio di traino standard
- ES** Nuevo enganche estándar



a = 40 mm
DIN 74054, ECE R55-01 (Class S)



	a (mm)	b (mm)	c (mm)	d (mm)	e (mm)	f (mm)
150	160,0	100,0	200,0	140,0	21,0	94,0

	T (mm)*	T (mm)*
150	11-35	max. 35

Technische Daten • Technical data • Données technique • Dati tecnici • Datos técnicos

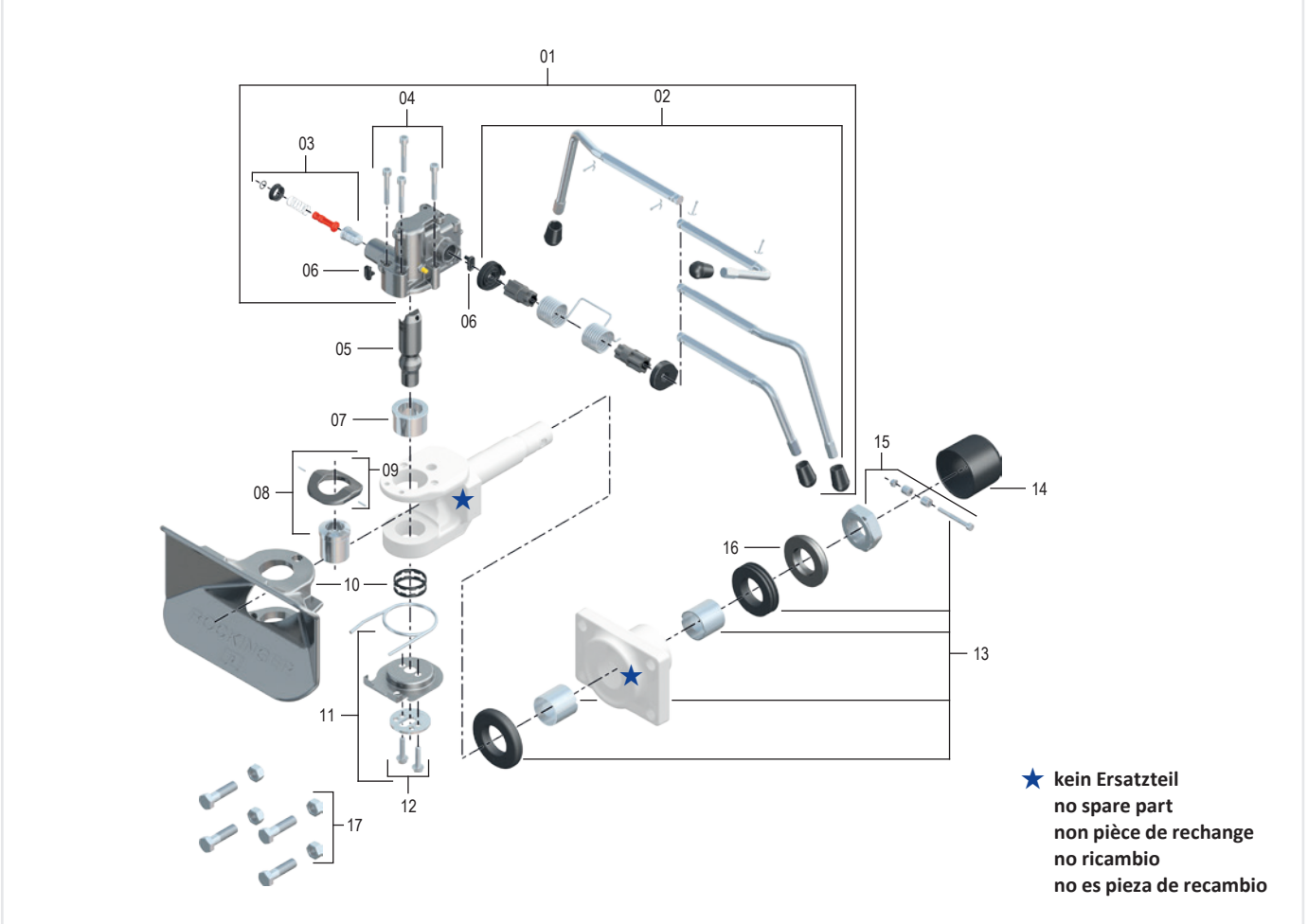
		(mm)	D (kN)	Dc (kN)	S (kg)	V (kN)	(kg)	ECE		ROE
RO 400A52001	150	160 x 100	130	90,0	1000	35,0	35,0	E1 55R-01 0350		*
RO 400B52001	150	160 x 100	130	90,0	1000	35,0	35,0	E1 55R-01 0350		*
RO 400A52201	150	160 x 100	130	90,0	1000	35,0	35,0	E1 55R-01 0350	x	

* Traversenstärke, cross member thickness, épaisseur de la traverse, spessore della traversa, espesor del travesaño
T ≤ 22mm = ROE 71957; T ≥ 23-35 mm = ROE 71958



RO★400 Easy Mount

Ersatzteile • Spare parts • Pièces de rechange • Ricambi • Piezas de recambio



Pos		ROE	
01	A	ROE 71448A	1
	B	ROE 71448B	1
	D	ROE 71795D	1
02	A	ROE 71795A	1
	B	ROE 71795B	1
	D	ROE 71795D	1
03		ROE 71491	1
04		ROE 30361	1
05		ROE 47099	1
06		ROE 25558	1
07		ROE 53520	1
08		ROE 71718	1

Pos		ROE	
09		ROE 59415	1
10		ROE 46109	1
11		ROE 71331	1
12		ROE 30486	1
13	incl. 15b	ROE 71962	1
14		ROE 25704	1
15		ROE 71796	1
16		ROE 59478	1
17	T ¹ ≤ 22 mm	ROE 71957	1
17	T ¹ ≥ 23–35 mm	ROE 71958	1

¹ Traversenstärke, cross member thickness, épaisseur de la traverse, spessore della traversa, espesor del travesaño

Reparatursatz • Repair kit • Kit de réparation • Kit riparazione • Juego de reperacion

Pos	ROE
03, 05, 07, 08, 11	ROE 71728