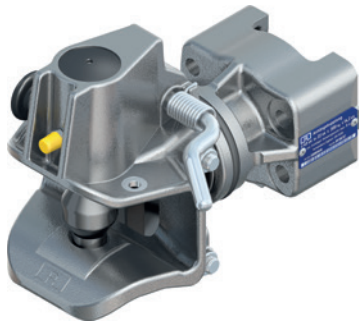
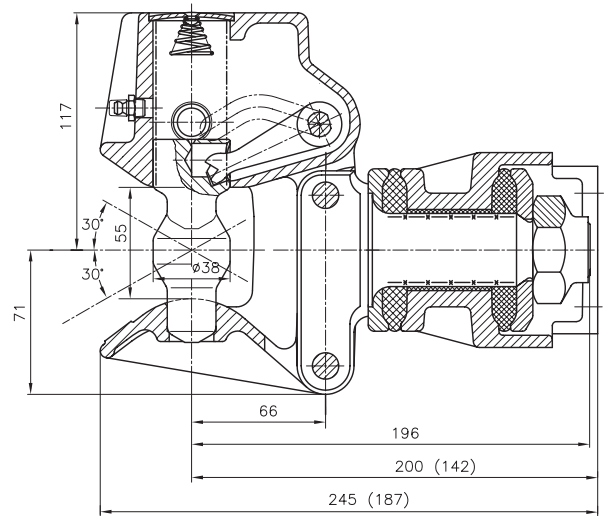
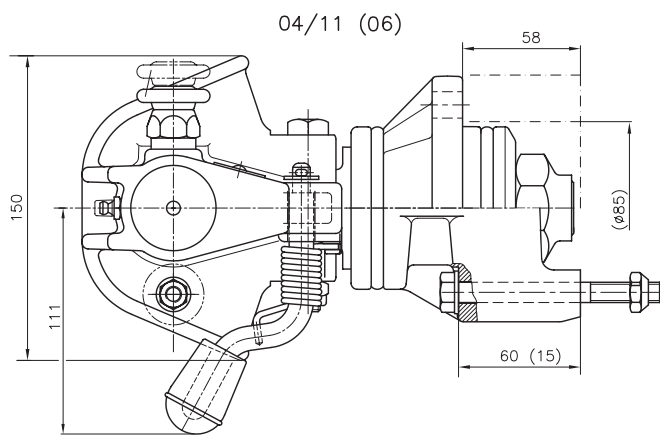


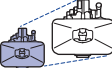
## RO★240 – 40 mm

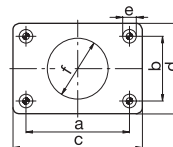
- DE** Drehbare Kupplung für Transporter
- EN** Rotable hitch for light trucks
- FR** Crochet d'attelage tournant pour véhicules utilitaires
- IT** Gancio girevole per motrici leggere
- ES** Enganche giratorio para furgonetas



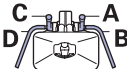
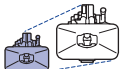


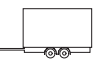



a = 40 mm  
DIN 74054  
94/20/CE



	a (mm)	b (mm)	c (mm)	d (mm)	e (mm)
04	85,0	45,0	112,0	96,0	13,0
06	101,6	101,6	130,0	130,0	13,0
11	83,0	56,0	112,0	96,0	10,5

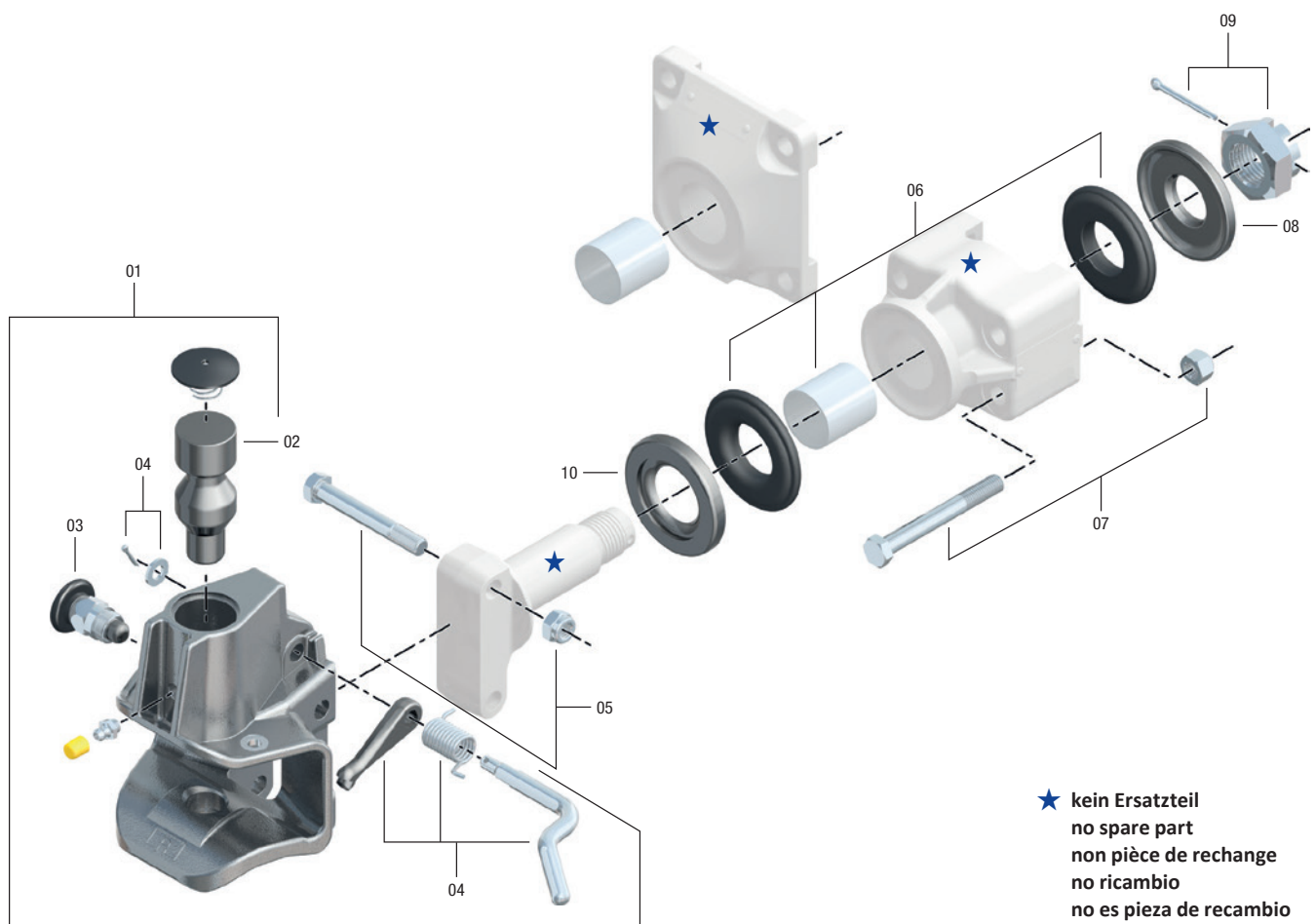


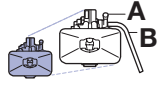

### Technische Daten • Technical data • Données technique • Dati tecnici • Datos técnicos

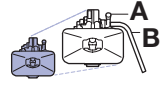

			 (mm)	 D (kN)	 Dc (kN)	 S (kg)	 V (kN)	 (kg)	ECE
RO 240B11000	B	11	83,0 x 56,0	35	35	250	12,0	9,4	E1 55R-02 3438
RO 240B04000	B	04	85,0 x 45,0	40	40	300	14,2	9,5	No ECE
RO 240B04530	B	04	85,0 x 45,0	40	22	300	14,2	9,5	No ECE
RO 240B06530	B	06	101,6 x 101,6	40	22	300	14,2	9,6	No ECE
RO 240B11530	B	11	83,0 x 56,0	35	20	250	12,0	9,4	No ECE

# RO★240

Ersatzteile • Spare parts • Pièces de rechange • Ricambi • Piezas de recambio



Pos		ROE	
01		ROE 71064	1
02		ROE 47026	1
03		ROE 70618	1
04		ROE 70927	1
05		ROE 70868	1
06		ROE 70872	1

Pos		ROE	
07	RO 240B04xxx	ROE 70879	1
07	RO 240B06000	ROE 70880	1
07	RO 240B11xxx	ROE 70878	1
07	RO 240B11530	ROE 70875	1
08		ROE 59262	1
09		ROE 31103	1
10		ROE 45131	1